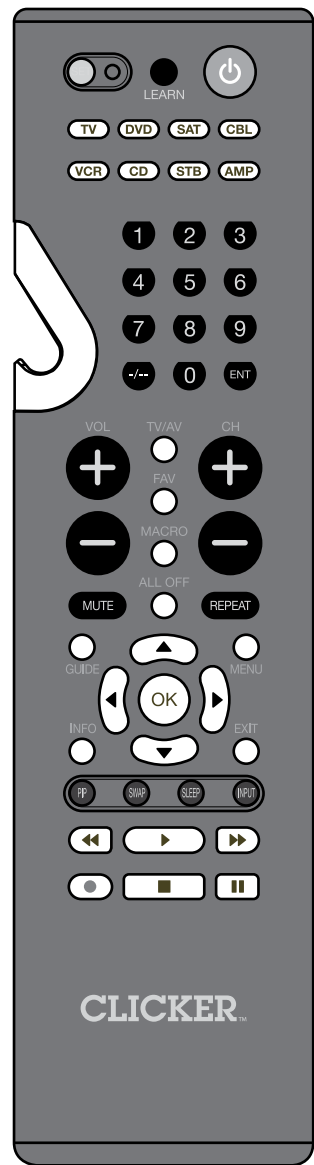


CLICKER™

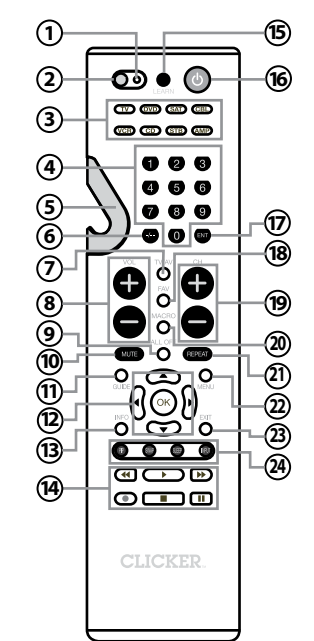
Product No. C-01CB/CO-1CR/
C-01B/C-01R

UNIVERSAL REMOTE CONTROL
WITH BOTTLE OPENER

START-UP GUIDE &
COMPONENT CODE CHART

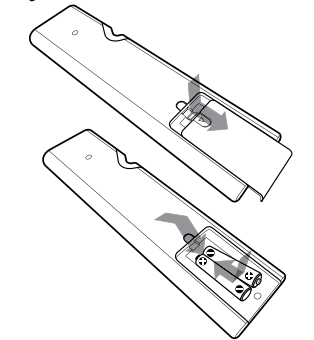


Location of Controls



- 1 SET indicator light
- 2 SET button
- 3 Component Select buttons
Light or flash during operation
- 4 Number buttons
- 5 BOTTLE OPENER HOOK
- 6 +/- button
- 7 TV/AV button
- 8 VOL +/- buttons*
- 9 ALL OFF button
- 10 MUTE button*
- 11 GUIDE button
- 12 Cursor Control buttons
- 13 INFO button
- 14 Player Control buttons
- 15 LEARN button
- 16 POWER button
- 17 ENT (enter) button
- 18 FAVORITES button
- 19 CH (channel) +/- buttons
- 20 MACRO button
- 21 REPEAT button
- 22 MENU button
- 23 EXIT button
- 24 SYSTEM CONTROL buttons

Installing Batteries
Slide open the battery compartment by gently pushing down on the arrow tab and sliding the battery compartment cover open. Install two AAA batteries ensuring that the + and - poles of the Clicker align properly with the + and - poles of the batteries. Always install the negative (-) end first.



Programming the Clicker

- A CODE SETUP**
1. Direct Code Entry
 - 1) Turn on the device (TV, DVD, etc.) to be controlled.
 - 2) Look for the brand of the particular device you want to program in the code list and make a note of the first code in the list.
 - 3) On your Clicker press and hold the device key (e.g. [TV] key) for about 3 seconds until the LED light of the device key and the SET key illuminate. Then release.
 - 4) After the LED turns on in step 3, enter the previously identified code (e.g. 0024) from the code list. If the LED flashes 2 times and then turns off, it indicates the code was not accepted.
 - 5) Then press the POWER button on the Clicker to see if it can turn off the device. If it can turn off the appliance, it means the code is correct. If not, please repeat from step 2 trying the next code in the list for that device.
 - REMARKS:
The remote control exits programming mode:
← If no keys are pressed for 30 seconds.
← If any key besides the number keys are accidentally pressed.
 2. Manual Searching
 - 1) Turn on the device (TV, DVD, etc.) to be controlled.
 - 2) Press and hold the device key (e.g. [TV] key) for about 3 seconds until the LED illuminates. Then release.
 - 3) After the LED illuminates in step 2, hold and aim the Clicker at the device. Press the [CH+] key or [CH-] key. The LED will flash once.
 - 4) Repeat. Each time you press the [CH+] key or [CH-] button, a code will be transmitted. When the appliance powers off, it indicates that the code was found.
 - 5) Press OK or any device key immediately to confirm. The LED turns off.
 - REMARKS:
The remote control exits programming mode if no buttons are pressed for 30 seconds.
 3. Auto-Searching
 - 1) Turn on the device (TV, DVD, etc.) to be controlled.
 - 2) Press and hold the device key (e.g. [TV] key) for about 3 seconds until the LED illuminates. Then release.
 - 3) After the LED illuminates in step 2, hold and aim the

Clicker at the device. Press and release the [POWER] key. The LED will flash once every two seconds.

- 4) When the appliance powers off, it indicates that the code is found.
- 5) Press OK or any device key immediately to confirm. LED turns off.

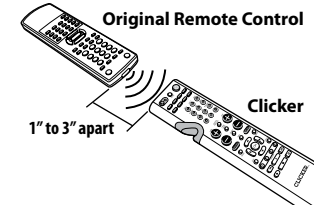
4. Code Search by Brand

- 1) Turn on the device (TV, DVD, etc.) to be controlled.
- 2) Hold the Clicker and aim at the device.
- 3) Press and hold the device key (e.g. [TV] key), and then press and hold the numeric button (0-9) for about 2 seconds. The LED flashes once every two seconds.
- 4) When the appliance powers off, it indicates that the code is found.
- 5) Release by pressing the two keys immediately to confirm. LED turns off.

- B Code identification Feature**
1. Press and hold the device key of reading code (e.g. [TV] key) about 3 seconds until LED goes on. Then release.
 2. Press and release info key, the LED flashes three times then goes on.
 3. Press each number button (0-9). When the LED blinks off, the number you pressed is the first code digit you are searching for.
 4. To find the second digit, repeat Step 3. When the LED blinks off, this is the second digit.
 5. Repeat Step 3 to find the third and fourth digit.

- C CHANGING VOLUME LOCK**
- Your Clicker allows you to select which device mode controls VOLUME and MUTE.
- If the programmed code does not have Volume/Mute operation, then VOLUME and MUTE will control the TV-mode device without you needing to change to TV mode.
- You can enter 9908 on any device to turn VOLUME LOCK on or off.

- Learning Function Set up:**
1. Push the device button once for the device you intend to teach. The device and indicator light will flash once. (OR: push the OK key so the device that is intended to go into study mode will flash once.)
 2. Push and hold the LEARN key for 3 seconds, the device and indicator will start blinking, which means it is in learning mode, point original remote control and the Clicker at each other 1 to 3 inches apart.
 3. Press the key on the CLICKER you wish to teach. The device and indicator light will illuminate. Hold the key of the original remote control down and only release when the above two lights start blinking, which means learning function for this button is complete.



4. Repeat step 3) for more learning keys.
 5. Push LEARN key to exit learning function.
- Note:**
1. After entering learning mode, indicator will blink twice and exit learning mode.
 2. Any function key of a device (except LEARN, SET, ALL OFF, FAV, device key) can be taught new functions again and again, but will only keep the data of the latest learning.

3. If any device has a new code entered, all data from learning will be erased.

How to erase learning data:
Push the device key. The indicator light will illuminate. Push LEARN down and at the same time, push the device key for about 2 seconds. The LED will blink 3 times and the data is erased.

How to erase the learning data of all devices:
Push down LEARN key and at the same time, push down MUTE key for about 2 seconds. Light will blink 3 times and the data is erased.

Manufacturer's Code List

TV/LCD/PLASMA	
Manufacturer	Code Number
ABEX	0120
ADMIRAL	0603, 0224, 0701
ADVENT	0213, 0219, 0893
ADVENTURA	0019
AIKO	0407
AIWA	0121, 0221, 0324, 0528
ALLERON	0706
ALLMARK	0603
AMTRON	0906
AKAI	0112, 0801, 0309, 1315, 1415, 0027, 1112, 1912, 1515
ANAM NATIONAL	0906, 0901, 0104, 0805, 0920
AOC	0002, 0102, 0502, 1502, 0003, 0217, 0119, 0320
APEX	0023, 0223, 0123, 1814, 0741
ARCHER	0603
ASPECT	0507
AUDIOVOX	0906, 1503, 1313
AXION	0319, 0793
BANG & OLUFSEN	0620
BELCOR	0002
BELL & HOWELL	0704, 0506, 0601, 0701
BENO	0709, 0909, 0711, 1616
BLUESKY	1117, 0016
BRADFORD	0906
BROKSONIC	0316, 0115, 0626, 0327, 0632, 0041
BROKWOOD	0002
CANDLE	0002, 0502, 0019, 0402
CAPEHART	0119
CCE	1916
CELERA	0023
CELEBRITY	0801
CENTRIOS	0518
CENTURION	0502
CETRONIC	0805
CHANGHONG	0023, 0741
CINERAL	0407, 0016
CITIZEN	0002, 0502, 0906, 0112, 0512, 0520, 0115, 0701, 0402, 0805, 0407
CLAIRTONE	0003
CLASSIC	0023, 0741, 0805
CLP	0010
CLP CLASSIC	0022, 0005, 0007
COBY	1710, 1014
COLOR VOICE	0602
COLORTYME	0002, 0502, 0602
CONCERTO	0002, 0502
CONCIERGE	0713
CONTEC	0906, 0802, 0003, 0805
CORNEA	0606
CRAIG	0906, 0805
CROSLLEY	0807
CROWN	0906, 0805
CURTIS MATHES	0704, 0112, 0614, 0002, 0502, 0601, 0506, 0512, 0437, 0701, 0103
CTX	0603
CXC	0906, 0805
CYBERVISION	0016
DAEWOO	0614, 0002, 0502, 0611, 0102, 0415, 0905, 0615, 0505, 0826, 0529, 0046, 0609, 0805, 0407, 0303, 0602, 0214, 0403, 0314, 0503
DAYTRON	0002, 0502,
DELL	0522, 0404, 0814,
DIAMOND VISION	0622, 0496, 0810
DIGIMATE	1303
DIGISTAR	1503, 0118, 0413, 0213, 0318, 0814, 1603, 1716, 1816
DIMENSIA	0704, 0601
DISNEY	0417, 0115
DUKANE	0507, 0808
DUMONT	0713, 0002
DURABRAND	0520, 0115, 0916, 0126, 0447, 0323, 0317, 1115
DYNASTY	0805
ELEKTRA	0701
ELECTROBAND	0801, 0003
ELECTROHOME	0002, 0502, 0027, 0901, 0803
ELITE VIDEO	0321
EMERSON	0002, 0502, 0006, 0115, 0506, 0706, 0520, 0906, 0316, 0505, 0614, 0622, 0324, 0924, 0626, 0826, 0027, 0327, 0128, 0228, 0305, 0063, 0134, 0247, 0605, 0705, 0805, 0703, 0090, 0004, 0519, 0106, 0104, 0304, 0604, 0804, 0005, 0105
ENVISION	0002, 0502, 0009, 1502
ESA	0520
FISHER	0506, 0612, 0428, 0619, 0802
FUJITSU	0321, 0706, 1202
FUNAI	0706, 0520, 0906, 0324, 0247, 0805
FUTURETEC	0906, 0805
GATEWAY	0206
GE	0704, 0312, 0018, 0002, 0502, 0006, 0007, 0601, 0835, 0901, 0114, 0103, 0803, 0806, 0310
GIBRALTER	0713, 0002
GOLDSTAR	0002, 0502, 0102, 0324, 0435, 0802, 0307, 0609, 0217
GRADIENTE	1902, 0002, 0916, 1617, 1517
GRUNDY	0706, 0906
GUESTVISION	0721
GVISION	1102
HAIER	0709, 0223, 0323, 0317, 1316
HALLMARK	0002, 0502
HARWARD	0906
HEWLETT PACKARD	1103, 1002
HITACHI	0410, 0507, 0815, 0607, 0808, 0002, 0502, 0710, 1801, 0701, 0802, 0707, 0315, 0515, 0715, 0519, 0324
HISENSE	0908, 0819, 0223, 1203
HYUNDAI	1015
ILO	0421, 1608, 1004, 1903, 0216, 0520
IMA	0906
INFINITY	0807, 0430
IN FOCUS	0601
INITIAL	1608, 0216, 1110, 1512
INSIGNIA	0911, 0520, 0323, 0115, 0914, 0213, 0318, 1416, 0247, 0504
INTEGRA	0719
INTEQ	0906, 0520, 0324, 0247, 0004
JANEL	0019
JBL	0807
JCB	0801
JC PENNEY	0704, 0002, 0102, 0502, 0112, 0312, 0512, 0007, 0601, 0310, 0402, 0802, 0103, 0803, 0604, 0806
JENSEN	0602
JVC	0607, 0204, 0321, 0508, 0617, 0326, 0993, 0802, 0108, 0308, 0715
KAWASHO	0002, 0502, 0801
KAYPANI	0119
KEC	0805, 0906
KENWOOD	0002, 0502
KLH	0023
KLOSS NOVABEAM	0408, 0019
KOGI	1102
KONKA	0906, 0702, 0203, 0306, 0208, 0911, 0842, 0942, 0504
KTV	0906, 0003, 0703, 0805, 0608
KURAZAI	0701
LASANIC	0622, 0496
LEGEND	0213
LG	0002, 0606, 0502, 0102, 0117, 0814, 0324, 0435, 0802, 0307, 0609, 0217
LIQUIDVIDEO	0319, 0418, 0793
LODGENET	0704, 0821, 0601, 0701
LODGING STAR	2041
LOEWE	0722, 0807
LOGIK	0704, 0601, 0701
LUCE	0107
LUXMAN	0002, 0502
LXI	0704, 0002, 0502, 0506, 0807, 0312, 0420
MAGNASONIC	0512, 0601, 0324, 0103
MAGNAVOX	0807, 0002, 0502, 0919, 1914, 0224, 0430, 0247, 0402, 0408, 0109, 0715
MAJESTIC	0704, 0601, 0701
MARANTZ	0807, 0719, 0002, 0502
MAXENT	0206
MEDION	0922, 0421, 0417
MEGATRON	0002, 0502, 0507
MEI	0003
MEMOREX	0002, 0502, 0506, 0706, 0115, 0704, 0601, 0115, 0632
MGA	0002, 0102, 0502, 0706, 0802, 0803, 0715, 0619
MIDLAND	0704, 0713, 0007, 0312, 0103
MINTEK	0216
MINUTZ	0806
MITSUBISHI	0102, 0716, 0706, 0002, 0502, 0027, 0805
MONIVISION	0205
MONTGOMERY WARD	0704, 0701, 0601
MOTEGA	0506, 1902
MOTOROLA	0603, 0901
MTC	0002, 0102, 0502, 0112, 0512, 0003
MULTITECH	0906
MULTIVISION	0010
MYRON & DAVIS	0822
NAD	0002, 0502, 0512, 0120
NEC	0719, 0002, 0102, 0502, 0901, 0602, 0111, 0715
NETTV	0206, 0014
NEXTECH	1806, 0318
NIKEI	0805
NIKKO	0002, 0502, 0407
NIKO	1915
NORCENT	0223, 0905, 0207
NTC	0407
OLEVIA	1304, 1802, 1615, 1815, 1217
ONCOMMAND	0721
ONKING	0805
ONWA	0906, 0805
OPTIMUS	0618, 0120, 0039, 0739
OPTOMA	1404
OPTONICA	0603, 0111
ORION	0713, 0115, 0105
PANASONIC	0718, 0416, 0007, 0618, 0807, 0039, 0739, 0345, 0696, 0901, 0608
PHILCO	0807, 0002, 0102, 0502, 0919, 0702, 1417, 0408, 0109, 0715, 0901, 0402, 0322, 0002, 0520, 0919, 0521, 0621, 0709, 1516, 1017, 0430, 0247, 0901, 0402, 0408, 0109, 0210, 0310, 0715, 2042
PHILIPS	0807, 0022, 0020, 0422, 0122, 0222, 0906, 0520, 0324, 0247, 0004
PHILIPS-MAGNAVOX	0807, 0002, 0102, 0502, 0919, 0702, 1417, 0408, 0109, 0715, 0901, 0402, 0322, 0002, 0520, 0919, 0521, 0621, 0709, 1516, 1017, 0430, 0247, 0901, 0402, 0408, 0109, 0210, 0310, 0715, 2042
PILOTT	0120, 0719, 0808, 0002, 0502, 0610, 0519
PIONEER	0428, 0402, 0802, 0805
PIVA	1109
PLANAR	1302
POLAROID	0819, 0918, 0914, 1503, 1215, 0504
PORTLAND	0002, 0102, 0502, 0415, 0614
PRECISION	0218
PRICE CLUB	0112
PRIMA	1503, 0118, 0213, 0318, 0219
PRINCECTON GRAPHICS	0603, 0511
PRISM	0007
PROSCAN	0704, 0312, 0103, 0601, 0817, 0917, 0842, 0942, 0504
PROTON	0820, 0002, 0502, 1602, 0910, 0119, 0220
PROTRON	1303, 1317
PROVIEW	1104, 1204, 1304
PULSAR	0713, 0002
QUASAR	0718, 0416, 0007, 0618, 0807, 0039, 0739, 0901, 0608
RADIO SHACK	0704, 0002, 0406, 0506, 0906, 0618, 0502, 0324, 0835, 0601, 0802, 0705, 0513,
RCA	0805, 0111 0704, 0002, 0406, 0007, 0011, 0611, 0811, 0312, 0514, 0720, 0102, 0502, 0601, 0817, 0917, 0835, 0901, 0103, 0529, 0609
REALISTIC	0704, 0002, 0406, 0506, 0906, 0618, 0502, 0601, 0324, 0802, 0705, 0805, 0111
RHAPSODY	0003
RUNCO	0713, 0719, 0712
SAMPO	0014, 0206, 0002, 0502, 0119, 0802, 0724, 0325, 0526, 0726, 0027, 0527, 0002, 0102, 0110, 0818, 0895, 0437, 0802, 0103, 0609, 0012, 0212
SAMSUNG	0002, 0502, 0706, 0906, 0004, 0105, 0805
SAMSUX	0502
SAMTRON	0112
SANSUI	0015, 0632
SANTECA	0021
SANYO	0506, 0311, 0612, 0002, 0428, 0802, 0412, 0619
SCEPTRE	0516, 1814
SCOTCH	0002, 0502
SCOTT	0002, 0502, 0706, 0906, 0004, 0105, 0805
SEARS	0704, 0807, 0506, 0706, 0112, 0002, 0502, 0312, 0512, 0612, 0520, 0601, 0812, 0509, 0041, 0247, 0802, 0103, 0619
SELECTRON	1803, 1603, 1703
SEMP	1701
SHARP	0509, 0913, 0907, 0603, 0002, 0502, 0224, 0228, 0202, 0111, 0813
SHOGUN	0002
SIGNATURE	0704, 0601, 0701, 0903
SIMPSON	0402
SONY	0206, 0014
SONIC	0414, 0902, 0801, 0708, 0639, 0816
SOVA	1901, 1111
SOYO	1614, 1714
SOUNDESIGN	0002, 0502, 0706, 0906, 0402, 0805
SPECTRA	0622
SPECTRAVISION	0921
SQUAREVIEW	0520
SSS	0002, 0906, 0805
STARLITE	0906
STAR SIGHT	0008
SUPRA	0002, 0809
SUPERSCAN	0812, 0509, 0247
SUPERSONIC	0096
SUPREMACY	0019
SUPREME	0801
SVA	0223, 0822
SYLVANIA	0807, 0002, 0502, 0115, 0520, 0919, 1715, 0324, 0247, 0447, 0402, 0408, 0109, 0715, 0717
SYMPHONIC	0326, 0534, 0925
SYNTAX	0830
TANDEX	0596
TATUNG	0709, 0421, 0901
TECHNICS	

Manufacturer	Code Number
	0524, 0632, 0824, 0239, 0339, 0529, 0438, 0925, 0430, 0224, 0324, 0435, 0336, 0936, 0437, 0126, 0524, 0632, 0824, 0239, 0339, 0529, 0438, 0925

DVD PLAYER

Manufacturer	Code Number
ACCESSION	1513
ADVENT	0893
AFREY	0343
AIWA	0043
AKAI	0141, 0145, 1112, 1912
ALLEGRO	0126, 0142
AMES	0744
AMW	0393, 0493
ANABA	0797
APEX	0240, 0640, 0740, 0840, 0044, 0644, 0245, 0545, 0146, 0347, 0547, 0495, 0992, 0741, 0596
ASPIRE	0994
ASTAR	1910
A-TREND	0940
AUDIOVOX	0793, 1313
AXION	0793
B & K	0499
BLAUUNKT	0644
BLUESKY	0143, 0146, 1114
BOYSONIC	0343
BOSE	0868
BOSS	0792
BOSTON ACOUSTIC	1411
BRITANIA	0833
BROKSONIC	0894, 0398, 0041
CAVS	1113
CENTRIOS	0796, 1308, 1408, 0793, 1007, 1107, 1507, 1607, 1707, 1008, 1108, 1807, 0546
CHANGHONG	0741
CINEVISION	0142
CITECH	1908
CITIZEN	1908
CLASSIC	0744, 1706, 0741
COBY	0294, 0296, 0396, 0293, 0146, 0494, 0091, 1710, 1711, 1712, 1812, 1014
CONCEPT	0644
CONIA	0146
CRITERION	0446
CURTIS INTERNATIONAL	0594, 0494
CYBERHOME	0940, 0100, 0595
CYBERVISION	0433
CYTRON	0246, 0440
DAEWOO	0645, 0745, 0046, 0798, 0198
DENON	0641, 0743
DENZEL	0444
DESAY	0497
DIAMOND VISION	0496, 0890, 0291
DIGIX	0095
DIGITREX	0146
DISNEY	0447
DRIVE	1011
DUAL	0346, 0000, 0297, 0444, 0246, 1810
DURABRAND	0546, 0142, 0246, 1210, 1310, 1410, 1510, 1610
DVD 2000	0841
EIGERVISION	1213
ELTA	0045, 0145
EMERSON	0142, 0695, 0591, 0247, 0447
ESA	0297
FARENHEIT	0697
FISHER	0243
FUNAI	0247, 0447, 0591
GE	0542, 0644
GOLDSTAR	0142
GO-VIDEO	0744, 0395, 0798, 0047, 0891, 0791, 0342, 0244, 0147
GPX	0295, 0096
GRADIENTE	0143, 0633, 0733
GREENHILL	0644
HAAZ	0746, 0846
HAIER	0195
HARMAN KARDON	0344
HITACHI	0042, 0342, 0444, 0543, 0340

Manufacturer	Code Number
HITEKER	0146
HUMAX	0892
ILO	0597, 1608
INFINITY	0343
INSIGNIA	0142, 0247, 0793, 0644, 0192, 0392
INITIAL	0644, 1608, 1110, 1512
INTEGRA	0843
JBL	0344
JVC	0441, 0242, 0442, 0098, 0691, 1808, 0443, 0993
JWIN	0640, 0990, 0191, 1412
KAWASAKI	0196, 0546
KENWOOD	0641, 0544
KISS	0444
KLH	0644, 0292, 0240
KONKA	0642, 0742, 0842, 0942, 0192
KOSS	0143, 0440
KXD	0091
LASONIC	0746, 0496
LENOXX	0794, 0145, 1310, 1410
LG	0142, 0898, 0392
LINN	0945
LITEON	0899, 0891, 0491, 0597, 1508
LIQUIDVIDEO	0793
MAGNAVOX	0441, 0442, 0447, 0599, 0799, 0699, 0247, 0193, 0093, 0598
MARANTZ	0441, 0142, 0442, 0943, 0799
MAXENT	0993, 0991
MEDION	0792, 0246, 0991, 0291, 0597
MEMOREX	0246, 1606, 1413, 1913
MERIDIAN	0441
MICROSOFT	0542
MICROVISION	0792
MINTEK	0644
MITSUBISHI	0841
MUSTEK	0744
MYRON & DAVIS	0897
NAD	0142, 0944
NAKAMICHI	0844
NEC	0142
NESA	0644, 0897
NEXXTECH	0896, 0097, 0197, 0297, 0095, 1806, 1007, 1107, 1207, 1307, 1907, 1008, 0546, 0596
NORCENT	0294, 0899, 0394, 0194, 0494
ONKYO	0441, 0843, 0199
OPTIMUS	0042, 0941
ORION	0041
ORITRON	0143, 1607
PANASONIC	0241, 0641, 0099, 0698, 0345, 0696, 0340
PACIFIC	0246
PHILCO	0533
PHILIPS	0441, 0442, 0943, 0177, 0599, 0799, 0699, 0247, 0447, 0598, 1211, 1214
PHILIPS-MAGNAVOX	0441, 0442, 0943, 0599, 0699
PIONEER	0941, 0042, 0299, 0399, 0498, 0592, 1010
PIVA	1109
POLAROID	0140, 0397, 0596, 1813
POLK AUDIO	0441, 0442, 0799
PORTLAND	0145, 0896
POWER ACOUSTIK	1312
PROLINE	0143
PROSCAN	0542, 0690
PROSONIC	0294
PROTRON	0194
PYLE	0692
RADIO SHACK	0546, 0946, 0593, 0693
RCA	0542, 0143, 0644, 0546, 0946, 0693, 0690, 1913
REGENT	0794, 1210
REOC	0746
RIO	0142
RJ TECHNOLOGY	1209, 1311
ROSEN	0694
ROTEL	0242
SABA	0593
SAMSUNG	0342, 0047, 0895, 0997, 0790, 1511, 0147
SAMPO	0343
SANSUI	0041, 0398
SANYO	0092, 0546, 0243

Manufacturer	Code Number
SEARS	0041, 0247
SEG	0444
SELECTRON	1309, 1409, 1509, 1609, 1709, 1809, 1909
SEMP	0440
SHARP	0341, 0391, 0492
SHERWOOD	0144
SHINCO	0644
SHINSONIC	0644
SONIC BLUE	0395
SONY	0300, 0400, 0500, 0541, 0200, 0540
SOUNDSTORM	0692, 0792
SOVA	1111
SUNGALE	0996, 0396
SUPERSCAN	0247
SUPERPERSONIC	0096
SV2000	0247
SVA	0146, 0492
SYLVANIA	0247, 0447, 1212, 0591
SYMPHONIC	0247, 0447, 0591
TASCAM	0242
TEAC	0042, 0546, 0142
TECHNICS	0641
TECHWOOD	0944, 1708, 0442
TERAPIN	0995
TEVION	0440, 0246, 0346, 0446, 0646, 0746, 0846
THETA DIGITAL	0042
TIVO	0892, 0592
TOSHIBA	1612, 1013, 1613, 0441, 0998, 0094, 0999
TREDEX	0795
TRUTECH	1906, 0798, 1713
UNITED	0546
VENTURER	0546
WHARFEDALE	0845, 0343
WESTINGHOUSE	0300
WHITE WESTINGHOUSE	0447
X-BOX	0542
XENIUS	0440
YAMAHA	0641, 0643, 0599, 0699, 0442
YAMAKAWA	0445, 0444, 1407
ZENITH	0441, 0142, 0392

CD PLAYER

Manufacturer	Code Number
ADC	0490
ADCOM	0767, 0073
AIWA	0967, 0372, 0885
AKAI	0173, 0375, 0684
AUDIO TECHNICA	0168
CALIFORNIA AUDIO LABS	0273
CAPETRONIC	0568
CARVER	0268, 0368, 0468, 0184
CASIO	0379
CENTRIOS	0979
CITIZEN	0284
CURTIS MATHES	0379
DENON	0668
EMERSON	0767, 0968
FISHER	0368, 0169, 0269, 0369, 0473
GENEXXA	0968, 0469, 0573
GOLDSTAR	0673
HARMAN KARDON	0669, 0770
HITACHI	0469
INKEL	0769
INSIGNIA	0578
JC PENNEY	0670, 0379
JVC	0869, 0982
KENWOOD	0569, 0969, 0170, 0374, 0474, 0484
KRELL	0268
KYOCERA	0490
LUXMAN	0270, 0370, 0574, 0475
LXI	0379
MAGNAVOX	0268, 0774, 0681
MARANTZ	0268, 0470, 0570, 0874
MCS	0670, 0379
MGA	0770
MISSION	0268
MITSUBISHI	0770, 0870
NAD	0773, 0975
NAKAMICHI	0970, 0071, 0784

Manufacturer	Code Number
NEC	0670
NEXXTECH	0679, 0879, 0480, 0580, 0584, 0087, 0787
NIKKO	0168, 0968, 0269
NSM	0268
ONKYO	0171, 0271, 0873, 0782
OPTIMUS	0368, 0468, 0469, 0569, 0371, 0471, 0571, 0671, 0076, 0376, 0776, 0273, 0974, 0675, 0683, 0887
PANASONIC	0268, 0774, 0184
PHILIPS	0469, 0771, 0871, 0573, 0676, 0385, 0289
PIONEER	0269, 0771, 0871, 0573, 0676, 0385, 0289
PROTON	0268
QUASAR	0273
RADIO SHACK	0468, 0571, 0272, 0676, 0280, 0488, 0089, 0289
RCA	0767, 0368, 0971, 0973, 0676, 0181, 0086, 0988, 0089, 0289
REALISTIC	0767, 0368, 0568, 0968, 0469, 0570, 0371, 0571
ROTEL	0268
SAE	0268
SAMSUNG	0641
SANSUI	0268, 0072, 0973, 0075
SANYO	0368, 0172, 0473, 0175, 0875
SCOTT	0440, 0246, 0346, 0446, 0646, 0746, 0846
SEARS	0569, 0570, 0379
SHARP	0569, 0570
SHERWOOD	0769, 0570, 0471, 0272, 0587
SHURE	0670
SONY	0372, 0880, 0081, 0681
STS	0490
SYLVANIA	0268
SYMPHONIC	0572
TEAC	0269, 0570, 0571, 0572, 0672, 0772, 0287
TECHNICS	0273, 0974, 0683, 0887
THETA DIGITAL	0447
TOSHIBA	0773
VICTOR	0869
YAMAHA	0168, 0872, 0972, 0074, 0286
ZENITH	0269, 0674, 0577, 0080, 0686

SATELLITE RECEIVER

Manufacturer	Code Number
AMPLICA	0159
BELL EXPRESSVU	0067, 0366, 0167, 0464
CENTURY	0356
CHANNEL MASTER	0359, 0459, 0559
CHAPPARAL	0657, 0757
CHEYENNE	0757
DRAKE	0857, 0059, 0360
DREAMBOX	0663
DIRECTV	0863, 0864, 0564, 0564, 0963, 0259, 0260, 0263, 0962, 0664, 0065, 0265, 0465, 0765, 0866, 0966, 0367, 0567, 0362, 0563, 1506, 0355, 0455, 0555
DISH NETWORK	0167, 0366, 0464, 0862, 0067, 0460, 0560, 0660
DISHPRO	0460, 0560, 0660, 0067
DX ANTENNA	0458, 0859
ECHOSPHERE	0464
MAGNAVOX	0167, 0366, 0464, 0862, 0067, 0460, 0560, 0660
EXPRESSVU	0067, 0366, 0167, 0464
FORTECSTAR	0558, 0157, 0257, 0357, 0457, 0557
FUJITSU	0760, 0860
GE	0265, 0566, 0365, 0863, 0966, 0666, 0766, 0866
GEMINI	0161
GENERAL INSTRUMENT (GI)	0364, 0865, 0965, 0066, 0466, 0665, 0166, 0058, 0158, 0258, 0960
GLOBECAST	0956, 1306
GO VIDEO	0662
HITACHI	0465, 0564, 0664, 0864, 0765, 0362
HUGHES NETWORK	0465, 0864, 0564, 0644, 0763, 0765, 0362, 0659
JVC	0464, 0862
KENWOOD	0461
LG	0362, 0864, 0765
LUXOR	0561
MAGNAVOX	0259, 0862, 0565

Manufacturer	Code Number
MACOM	0661
MITSUBISHI	0765, 0864, 0465, 0564, 0664, 0362
MOTOROLA	0466, 0463
NET	0456, 0262
NOVSTAT	0761
NOVAPLEX	0155
PACE	0063, 0163, 0266
PANSAT	0060, 1406
PANASONIC	0273, 0974, 0675, 0683, 0887
PRIMESTAR	0264, 0665
PHILIPS	0369, 0662, 0763, 0564, 0664, 0864, 0465, 0765, 0565, 0362, 0162
PHILIPS-MAGNAVOX	0259, 0862, 0565
PIONEER	0062
PROSAT	0957
PROSCAN	0265, 0365, 0666, 0966, 0766, 0866
RCA	0265, 0566, 0365, 0863, 0467, 0966, 0666, 0766, 0866, 0411
REALISTIC	0961, 0358
SAMSUNG	0061, 0959, 0962, 0263, 0563, 0655
SHARP	0062
SKY NETWORK	0063, 0163, 0266, 0355, 0455, 0555
SIERRA III III	0757
SONY	0963, 0367, 0567, 0160, 0861
STARCHOICE	0665, 0166, 0364
STAR SIGHT	0964
STAR TRAK	0462
STS	0458, 0658, 0758
SUPER GUIDE	0562
SYLVANIA	0759
TELSAT	0356
TOSHIBA	0765, 0864, 0465, 0564, 0664, 0362, 0858, 0064, 0164, 0764
TV	0756